

Wiring and Component Testing – High Voltage Board – Side by Side Units

Terminal to Terminal	Description	Wire Colors	Ω - V	Volts	
1	12	Purple to Green w/ Yellow	3.2 m Ω	24 VDC	
1	12	Fresh Food Fan AND Service Fan	Purple to Green w/Yellow	1.6 m Ω	24 VDC
2	3	Defrost Heater	Orange to Blue w/White	30.3 Ω	115 VAC
6	10	Freezer Fan -120 VAC	Yellow to White	28.0 Ω	115 VAC
4	11	Defrost Bimetal	Brown to Black	0 or ∞	0 or 115 V
5	11	Freezer door switch	Purple w/White to Black	0 or ∞	0 or 115 V
7	10	Line out to Inverter board	Blue to White	2 m Ω	115 VAC
8	10	Line out to Condenser fan motor	Brown w/white to White	550 Ω	115 VAC
9	11	Refrigerator door switch	Red w/White to Black	0 or ∞	115 VAC
11	10	Main in to HV Board	Black to White	N/A	115 VAC
13	*	Neutral OUT to cavity lights	White w/Black	N/A	N/A
14 (See note)	9	Power out to pocket heater	Gray	N/A	0 or 115 V

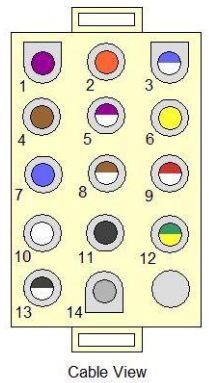
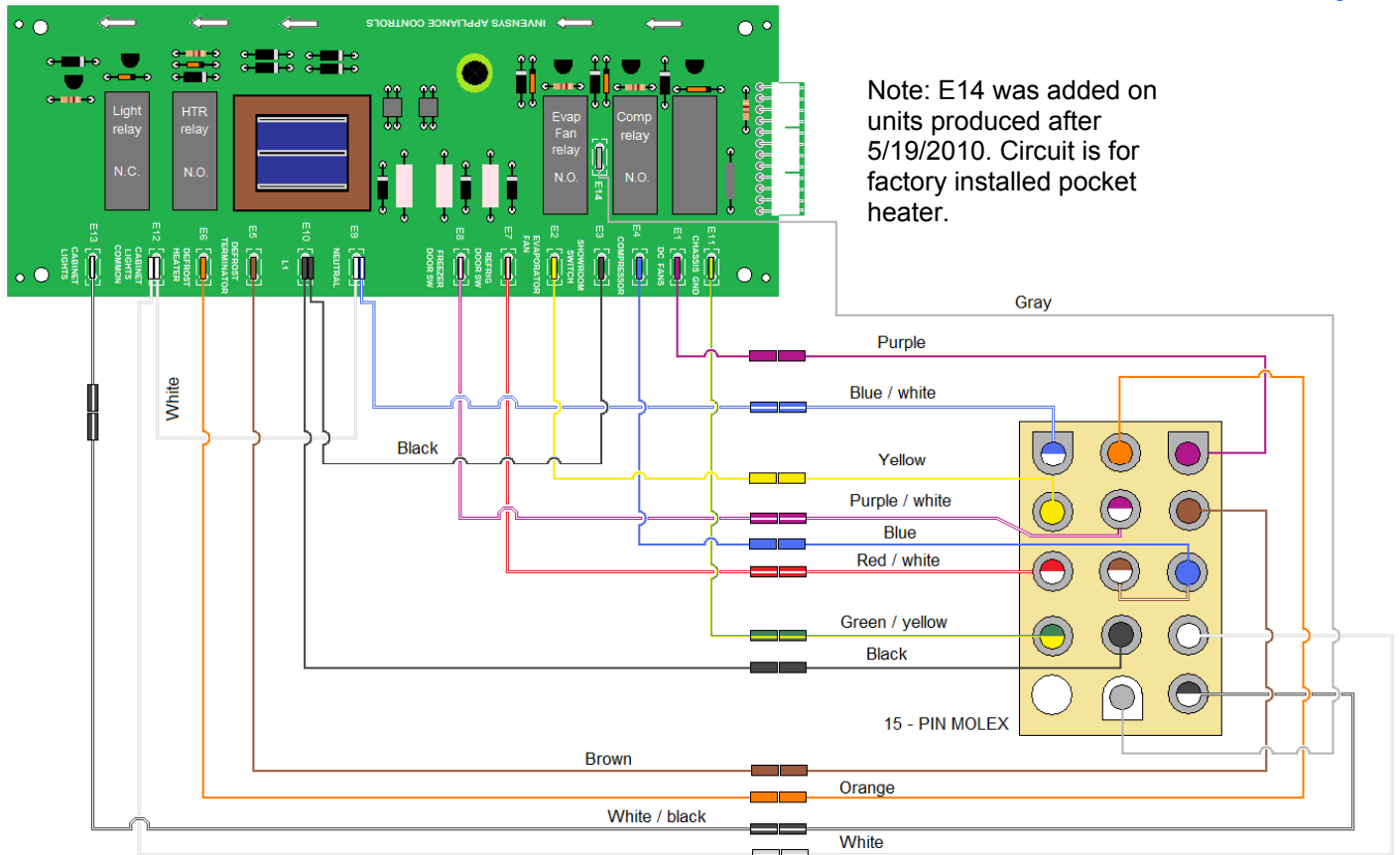


Chart for cable view layout



Molex Connection	Wire Colors	HV Board connection
1	Purple	E1
2	Orange	E6
3	Blue w/White tracer	E9
4	Brown	E5
5	Purple w/White tracer	E8
6	Yellow	E2
7	Blue	E4
8	Brown w/White tracer	E4
9	Red w/White tracer	E1
10	White	E12
11	Black	E10
12	Green w/Yellow tracer	E11
13	With w/Black tracer	E13
14 (See note)	Gray	E14

